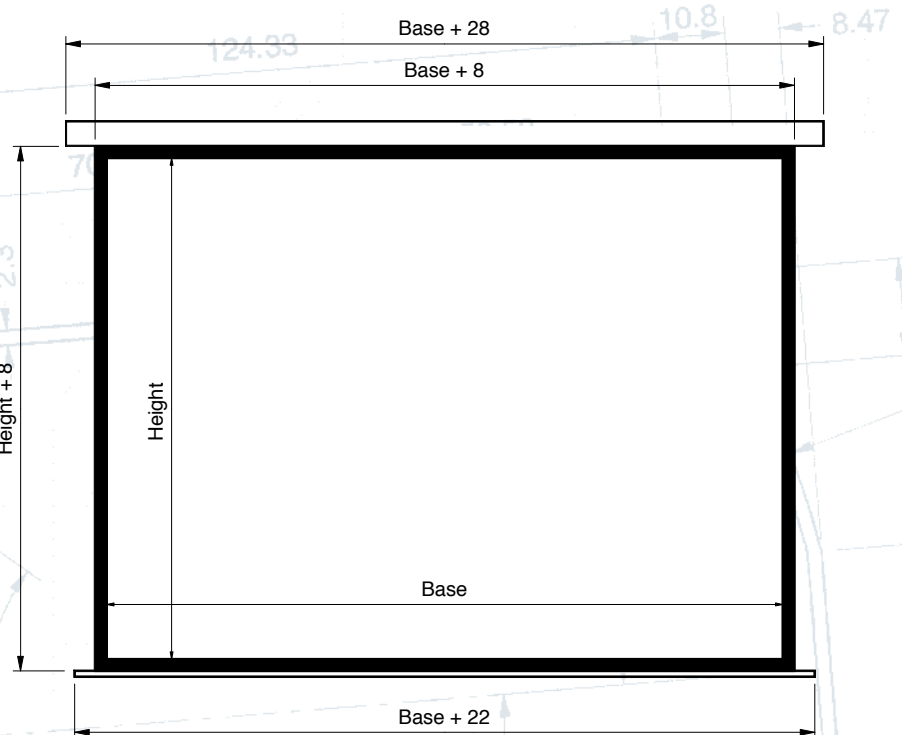


ELECTRIC  
SCREENS

## HCM 3

A pretty design for this screen whose installation is easier and faster thanks to the Speed solo system.



Aluminum profile casing with white epoxy finish and black borders on the projection surface  
Black out projection surface  
Mix wall/ceiling mounting.

Available in two models:

- HCM3S with wired control (see the options for this model)
- HCM3R with radio remote control



Radio remote control of the HCM3R screen

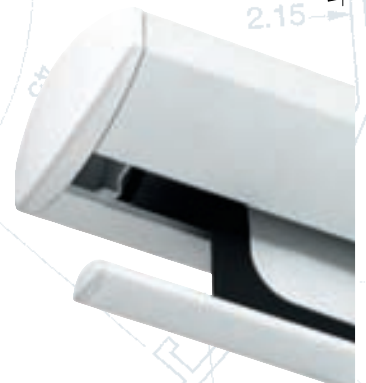
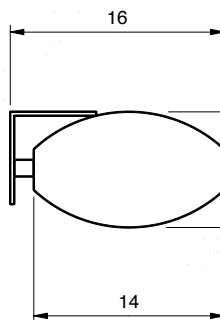


Image format Height x base (cm)	Matt white with radio remote control	Matt white with wired control	Shipping weight in Kg	Net weight in Kg
<b>4:3 formats</b>	<b>HCM3R</b>	<b>HCM3S</b>		
129 x 172	HCM3RB1135180	HCM3SB1135180	16	13
144 x 192	HCM3RB1150200	HCM3SB1150200	17	14
174 x 232	HCM3RB1180240	HCM3SB1180240	21	18
<b>16:9 formats</b>	<b>16:9 formats are manufactured with a 30 cm high black border</b>			
97 x 172	HCM3RB1101180	HCM3SB1101180	16	13
108 X 192	HCM3RB1112200	HCM3SB1112200	17	14
130 X 232	HCM3RB1135240	HCM3SB1135240	21	18

### OPTIONS AND ACCESSORIES



Radio Trigger

Radio Standard

Infrared

#### REMOTE CONTROL

Remote control systems

Type	Reference
Radio Standard	OPTCOMMANDRAD
Trigger	OPTCOMVPRAD
Infrared	OPTCOMIR2POS

#### STAND-OFF BRACKETS



#### SPEED SOLO SYSTEM

Easier and faster mounting by a single person

- 1 Place the two stand-off brackets on the wall or on the ceiling.
- 2 Insert the screen in the brackets.
- 3 Secure the mounting.

The brackets are sliding along the case.

#### STAND-OFF BRACKETS

The 40 cm stand-off brackets allow mounting the screen further away from the wall. The pair:

Reference number	Dimension
OPTECAR40HCM3	40 cm