



## POL01 POLICHINELLE

Polichinelle screens are ideal for large auditoria in meeting and conference centres and large theatres. They are custom-made for all formats with an image base from 7 m up to 20 m and more. The materials used ensure that the whole system is very light and reliable. Aluminium casing. The largest screens are fitted with an aluminium or carbon fibre mandrel attached to the bottom edge of the screen to ensure it rolls up evenly and without creases.

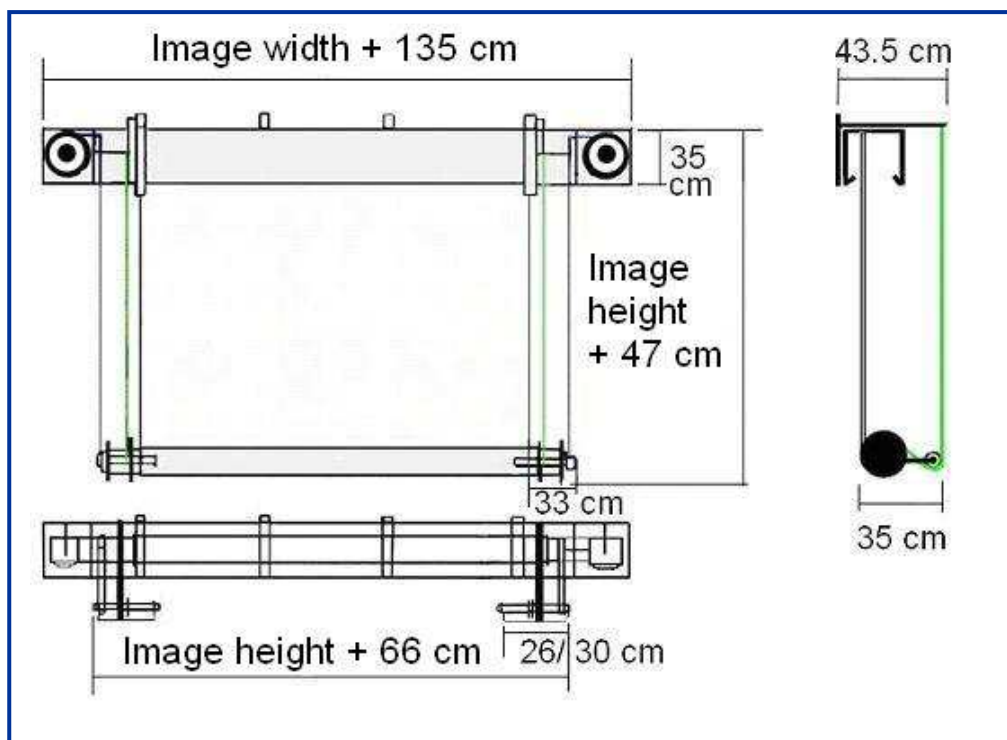


### Projection surfaces available for Polichinelle screens :

Matt white  
Perforated Matt white  
Matt white with black-out liner  
Microperf Oray Matt white  
Special Mother-of-Pearl  
Perforated Special Mother-of-Pearl  
Translucent

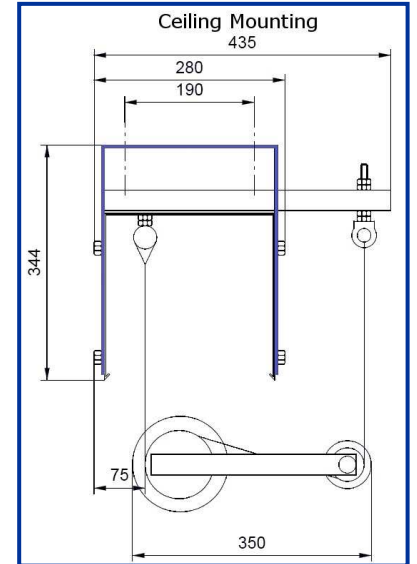
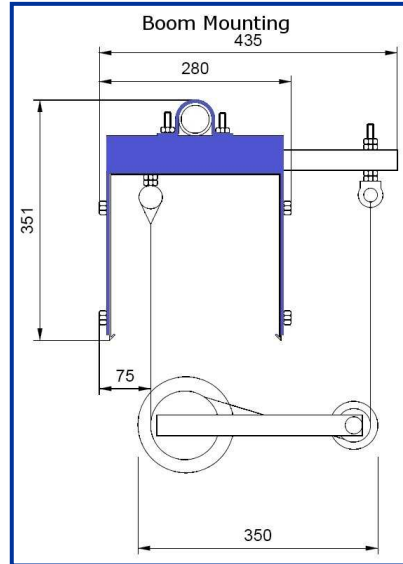
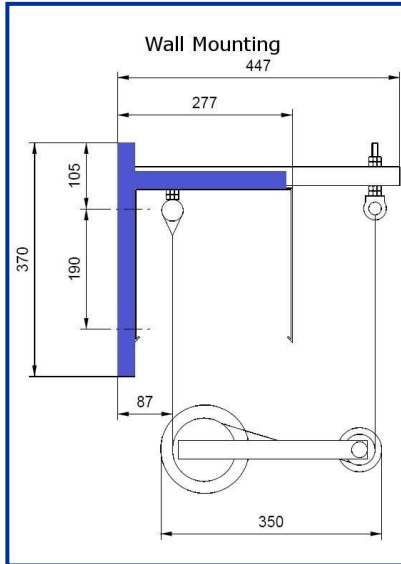
### Standard mountings:

- Ceiling mounting with metal rods
  - Suspension from a 49 mm diameter boom
  - Wall mounting
- Please specify when ordering*





**POL01 POLICHINELLE MOUTING / REMOTE CONTROL**



**Option remote control**



**Somfy wall remote control**  
1MOT03016



**Somfy waterproof box**



**Somfy remote control**